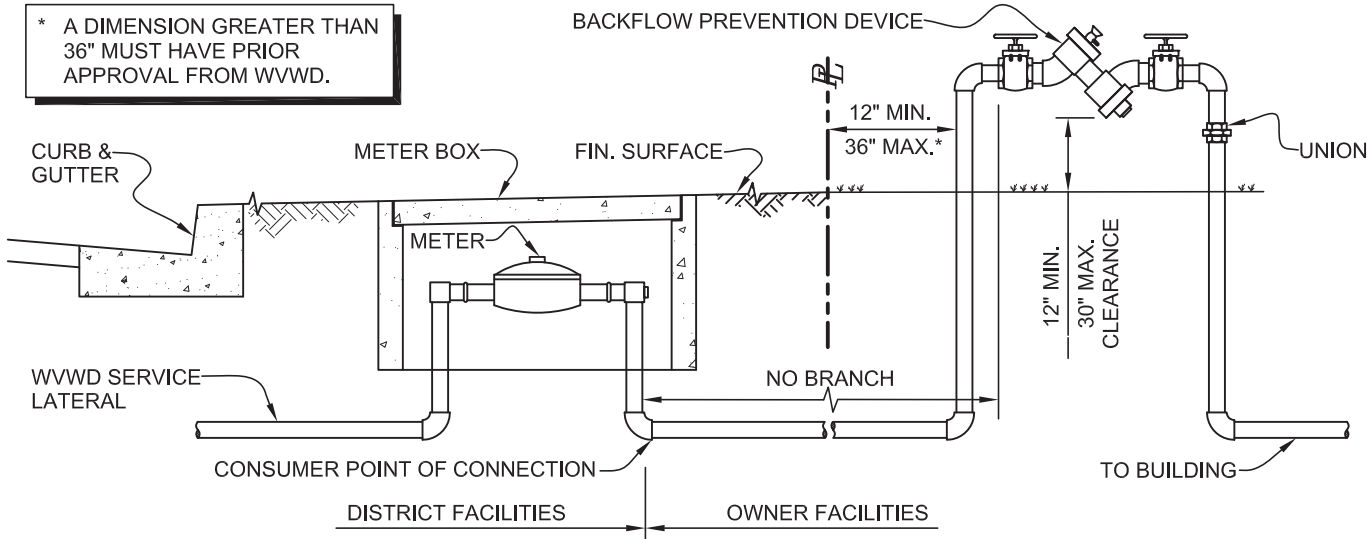
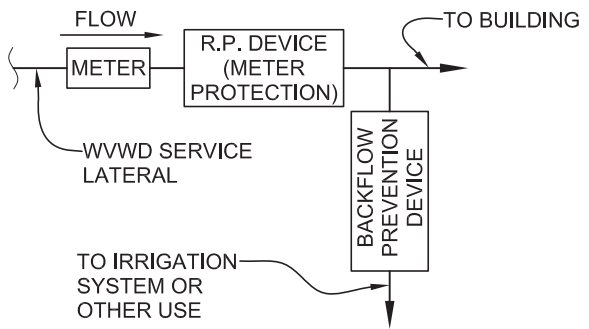


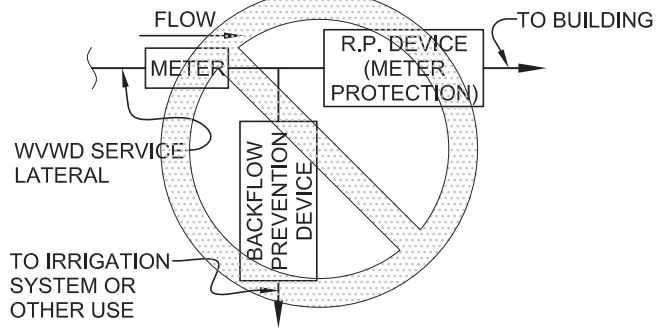
* A DIMENSION GREATER THAN 36" MUST HAVE PRIOR APPROVAL FROM WVWD.



TYPICAL INSTALLATION FOR BACKFLOW PREVENTION DEVICE
N.T.S.



SCHEMATIC OF APPROVED CONNECTION
N.T.S.



SCHEMATIC OF UNAPPROVED CONNECTION
N.T.S.

GENERAL PROVISIONS:

1. ALL COMMERCIAL, INDUSTRIAL, INSTITUTIONAL METERED SERVICES AND RESIDENTIAL FIRE METERED SERVICE SHALL BE PROTECTED BY A REDUCED PRESSURE PRINCIPLE BACKFLOW PREVENTION DEVICE (R.P. DEVICE). R.P. DEVICE MUST BE INSTALLED BEFORE SERVICE IS TURNED ON.
2. R.P. DEVICES MUST BE PLACED ON PRIVATE PROPERTY AS CLOSE AS PRACTICAL TO THE METERED SERVICE.
3. NO BRANCHES (i.e., TEES, CROSSES, ETC.) SHALL BE ALLOWED BETWEEN THE R.P. DEVICE AND THE METER.
4. R.P. DEVICE MUST BE APPROVED BY THE FOUNDATION FOR CROSS-CONNECTION CONTROL AND HYDRAULIC RESEARCH, UNIVERSITY OF SOUTHERN CALIFORNIA.
5. R.P. DEVICE MUST BE THE SAME SIZE AS THE SERVICE LINE, UNLESS APPROVED BY WALNUT VALLEY WATER DISTRICT.
6. R.P. DEVICE MUST BE INSTALLED ABOVE GROUND PREFERABLY IN A LANDSCAPE AREA WITH TWELVE INCHES (12") MINIMUM TO THIRTY (30") MAXIMUM VERTICAL CLEARANCE FROM GRADE.
7. ONLY ONE R.P. DEVICE WILL BE ALLOWED PER METER TO SERVE AS METER PROTECTION, UNLESS APPROVED BY WALNUT VALLEY WATER DISTRICT.
8. METER PROTECTION DEVICE MUST BE INSPECTED AND TESTED ANNUALLY BY A LICENSED, LOS ANGELES COUNTY HEALTH DEPARTMENT CERTIFIED BACKFLOW DEVICE TESTER, AND RESULTS SUBMITTED TO THE WALNUT VALLEY WATER DISTRICT.
9. FAILURE TO PROPERLY INSTALL AND MAINTAIN METER PROTECTION MAY RESULT IN TERMINATION OF WATER SERVICE.
10. A LIST OF APPROVED BACKFLOW DEVICES IS AVAILABLE AT THE WALNUT VALLEY WATER DISTRICT OFFICE.
11. R.P. DEVICE ARE NOT ALLOWED ON RECYCLED WATER SYSTEM.

REVISIONS	



WALNUT VALLEY WATER DISTRICT

APPROVED BY:
Erik Hitchman
DRAWN BY: TD/ML

BACKFLOW PREVENTION DEVICE INSTALLATION

STANDARD DRAWING No.
4
DATE: 02/05/10